

UNIQ

MICROOFFICE



reddot design award
winner 2019



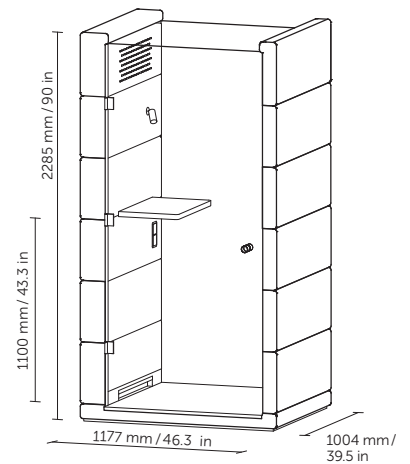
BIGSEE
PRODUCT DESIGN
AWARD 2019
WINNER

Thanks to its iconic design, premium acoustic materials, highly effective ventilation system and precise craftsmanship details, MICROOFFICE® UNIQ offers a sophisticated solution for all who are looking for a perfect oasis of peace and quiet.



TECHNICAL DETAILS

exterior dimensions	1177 × 1004 × 2285 mm / 46.3 × 39.5 × 90 in
interior dimensions	898 × 933 × 2097 mm / 35.4 × 36.7 × 81.9 in
weight	385 kg / 848 lb
door dimensions	914 × 2098 mm / 36 × 82.6 in
door opening clear dimensions	898 × 2077 mm / 35.4 × 81.8 in
door opens	left
glass doors	sound-insulating glass
glass walls	sound-insulating glass
solid walls	sound-absorbing sandwich panel with acoustic insulation
ceiling	glazed ceiling
flooring	sound-absorbing sandwich panel with acoustic insulation, carpet (anthracite grey)
glass wall frame and door handle	solid oak wood/black varnish
sound attenuation	speech level reduction $D_{s,a} = 35$ dB (class A+) ^{*1}
ventilation	automatic ^{*2} /manual with control panel, air flow 124 m ³ /h ^{*3}
lighting	LED chromaticity temperature 2700 K
energy consumption	consumption in operation 25 W consumption in standby 1 W
power for MICROOFFICE	220–240 V; 50/60 Hz; 10 A
desk	600 × 320 × 40 mm height 1100 mm – standing option table in the middle of the wall solid oak wood / black varnish
standard equipment	electric socket (1x), USB C (1x), motion sensor, desk, lamp, ventilation, glazed ceiling
optional equipment	refer to the pricelist
color options	decorative fabric (refer to swatches)
certification	   ^{*4}



^{*1} ISO 23351-1:2020 – Acoustics – Measurement of speech level reduction of furniture ensembles and enclosures – Part 1: Laboratory method.

^{*2} The fan speed is automatically regulated depending on the temperature difference inside and outside the MICROOFFICE.

^{*3} It is highly recommended to keep at least 15 cm space on the left side where the ventilation inlet is. Please keep also 30 cm above the MICROOFFICE.

^{*4} FSC certification on request.

All intellectual property rights („Rights“), whether registered or not, relating to any content, texts, photographs, images, logos, instructions, designs, technical solutions, etc. („Content“) are the property of SilentLab s.r.o. („Owner“) and any interference with these Rights to any Content or part thereof without the prior express and written consent of the Owner is not permitted.

Any use of the Content not expressly authorized in writing in advance, with the exception of internal and non-commercial use of the unmodified Content for the purposes of the customer's own order, is considered an infringement of the Owner's Rights. In particular (not exclusively), any reproduction, change, addition, merger or other modification of the Content is prohibited without the prior express written consent of the Owner.

SILENT LAB

ACOUSTICS THAT WORKS

The final product configuration may differ from the versions shown in the photographs. SilentLab®, MICROOFFICE® and their logos are registered trademarks of SilentLab s.r.o. All MICROOFFICE products are patent pending.

version 2023.1

TECHNICAL DATA SHEET | MICROOFFICE UNIQ | info@silent-lab.com | www.silent-lab.com